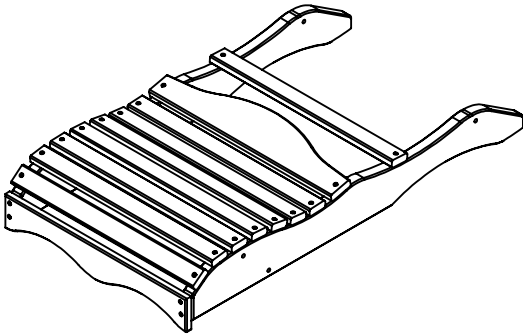
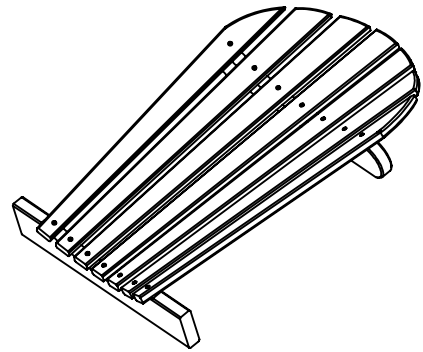


1



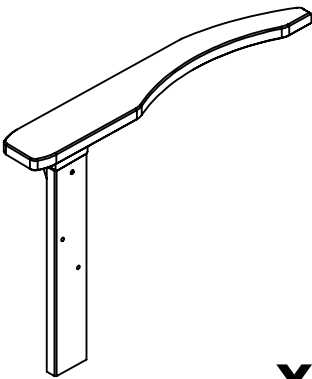
x1

2



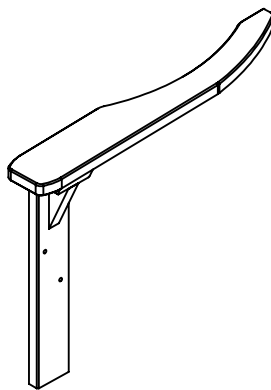
x1

3



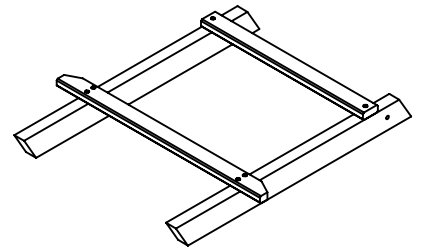
x1

4

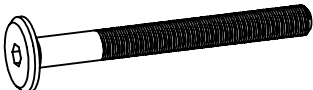
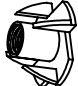
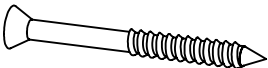


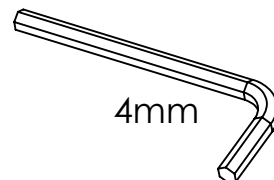
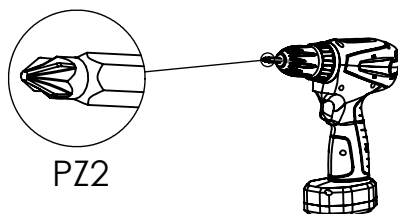
x1

5

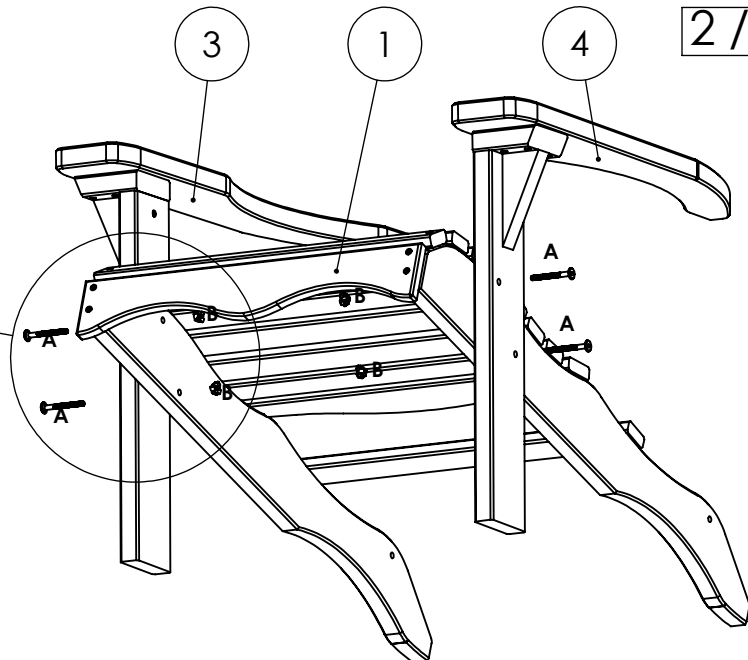
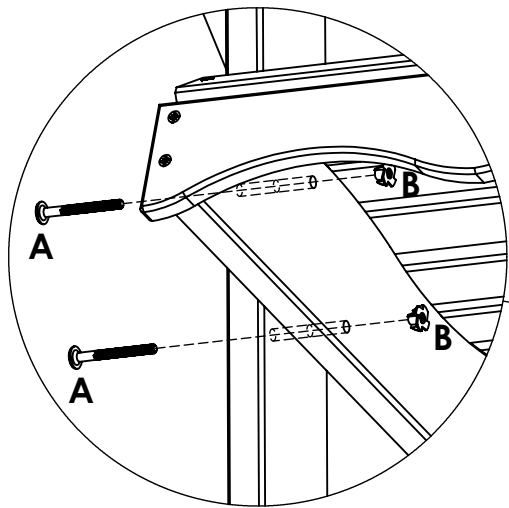


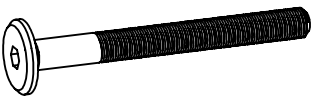

x1

A		M6x60	x6
B		M6	x6
C		4x50	x8

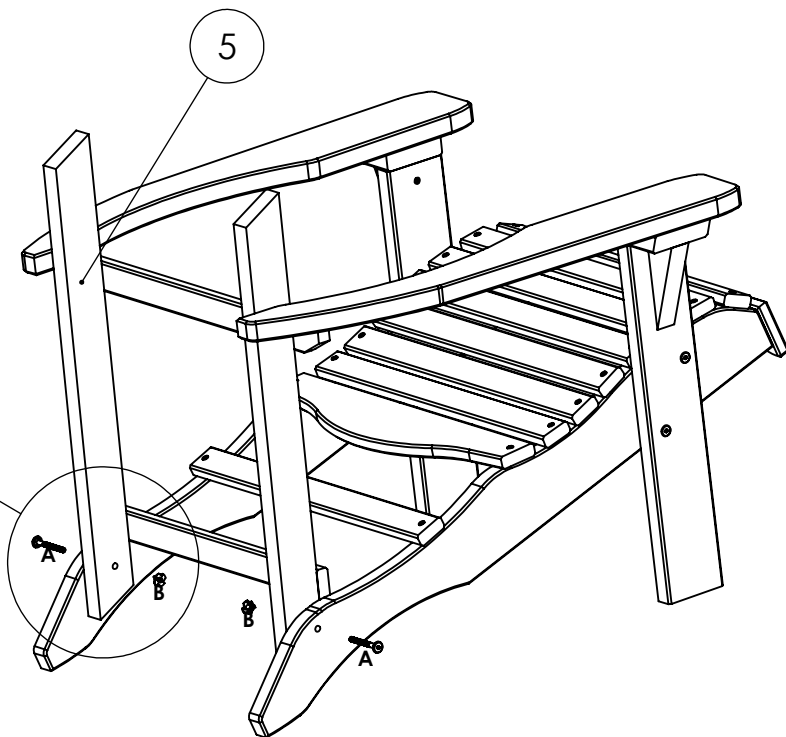
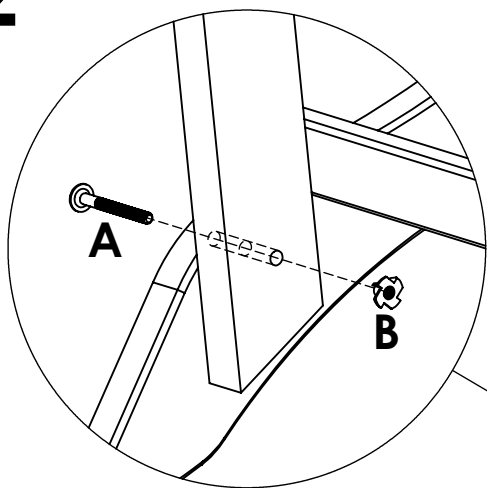


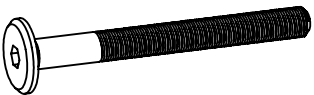

1

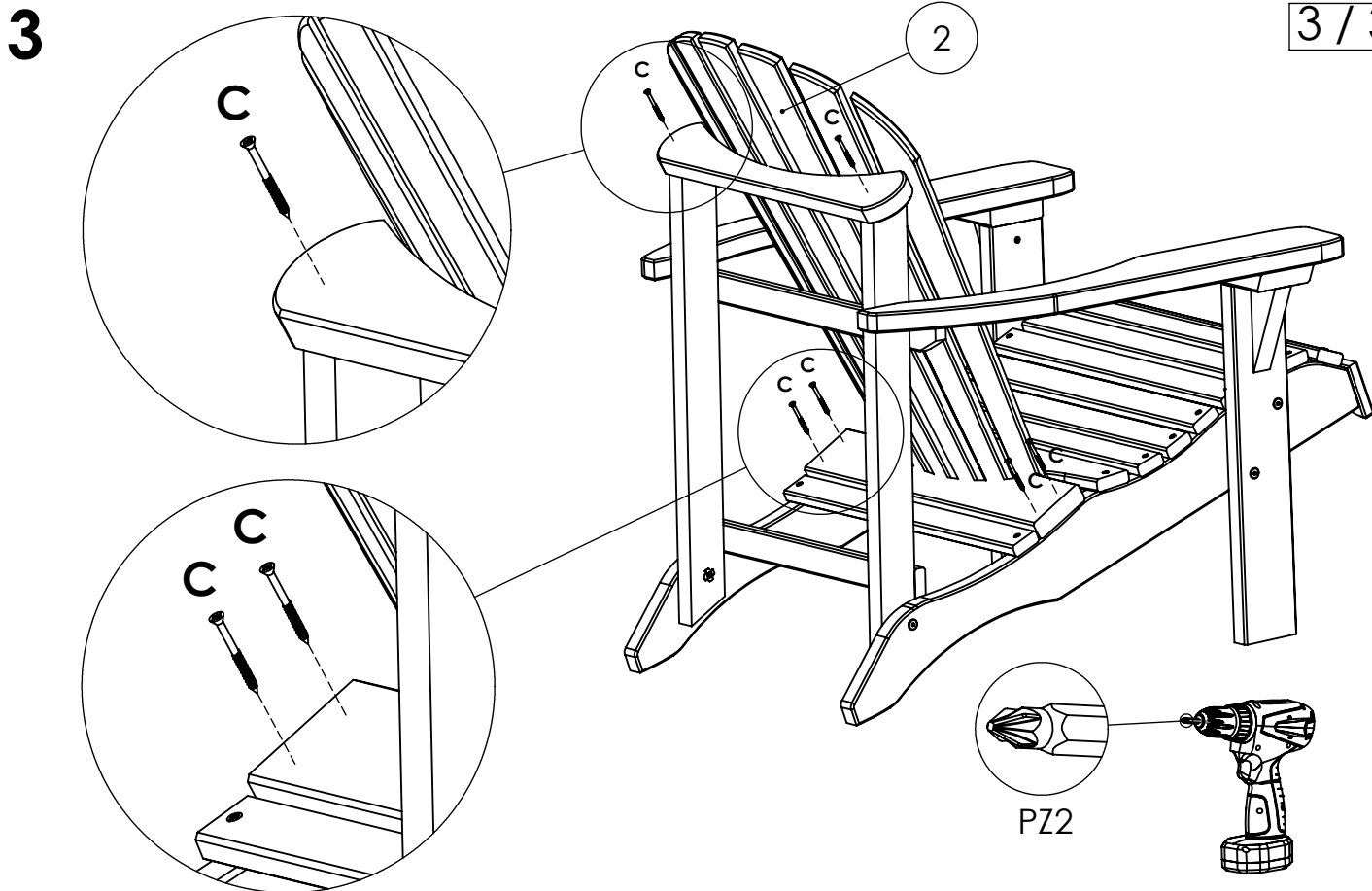


A		M6x60	x4
B		M6	x4

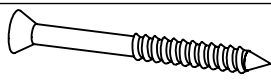
2



A		M6x60	x2
B		M6	x2



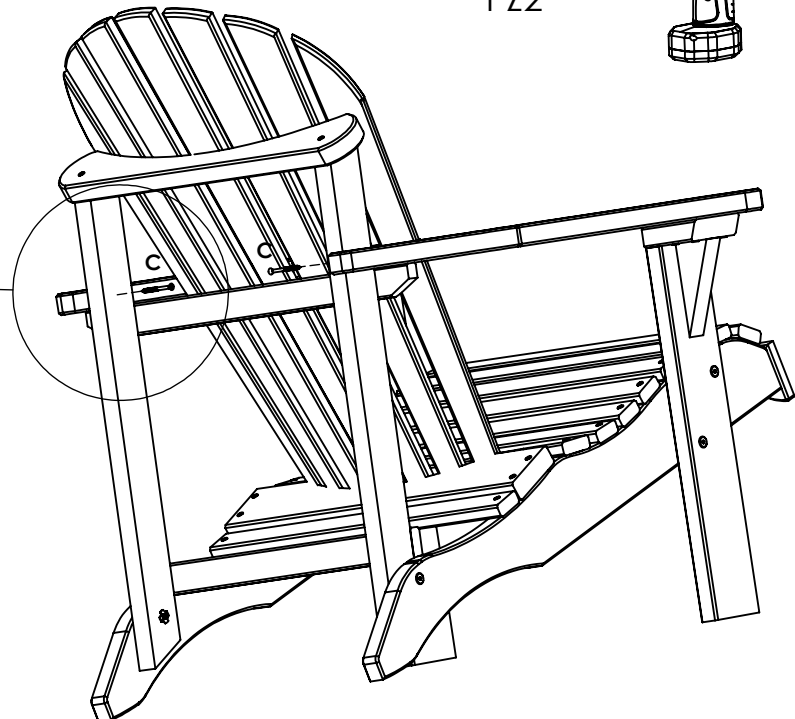
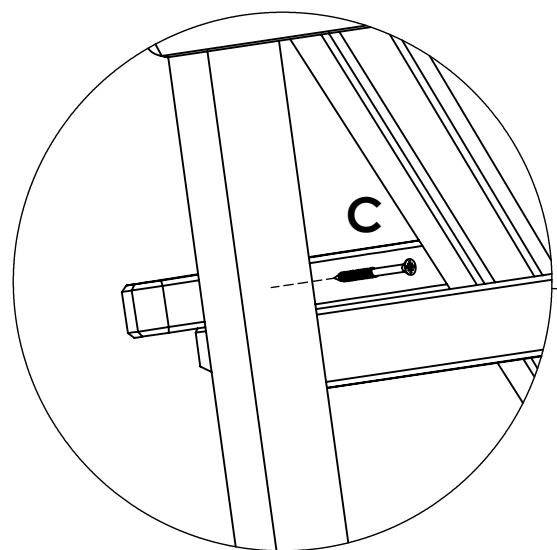
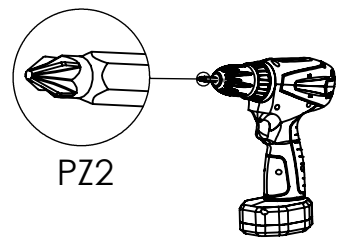
C



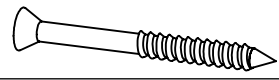
4x50

x6

4



C



4x50

x2